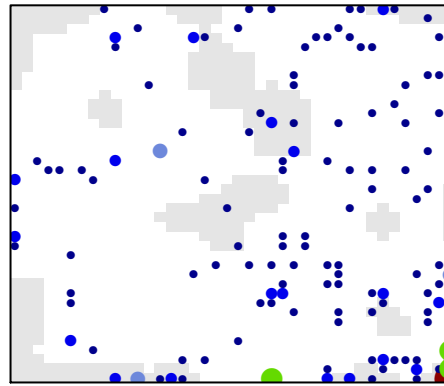
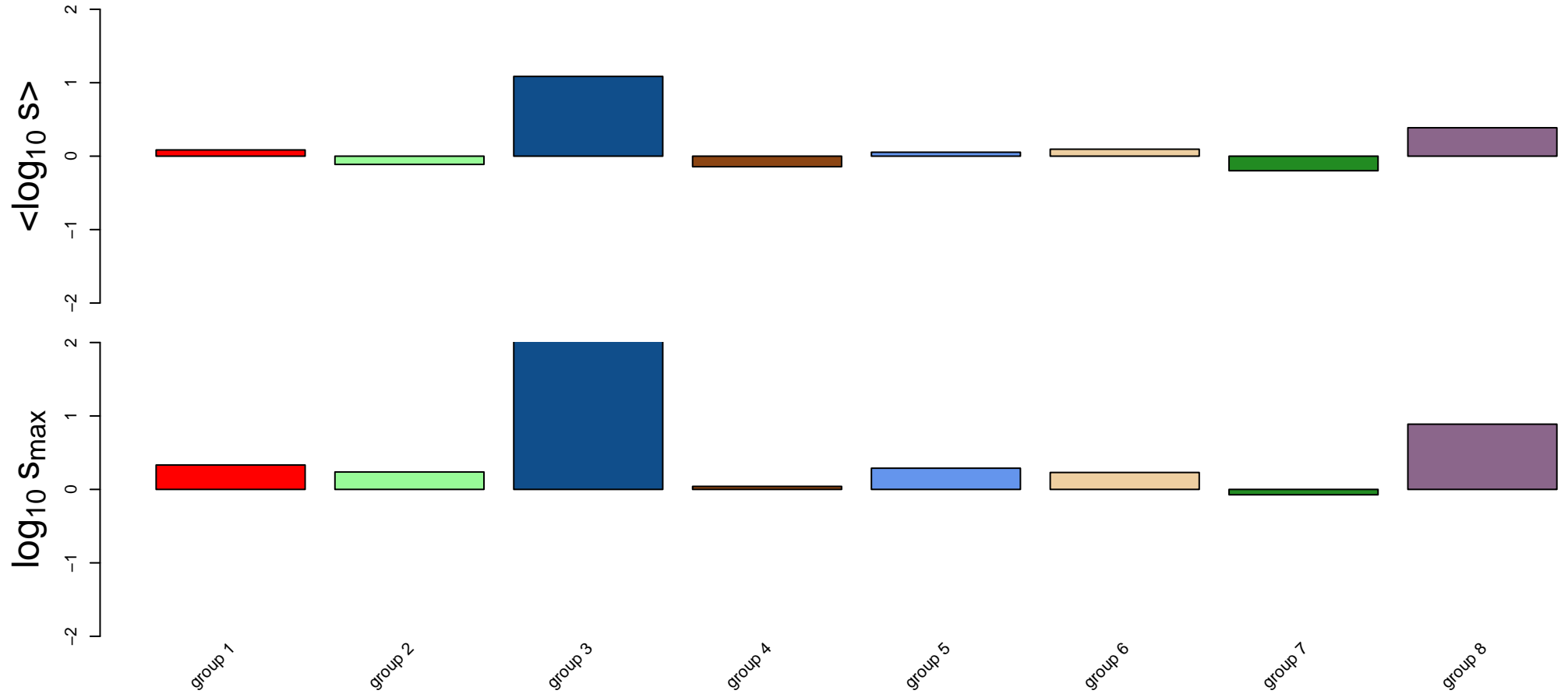
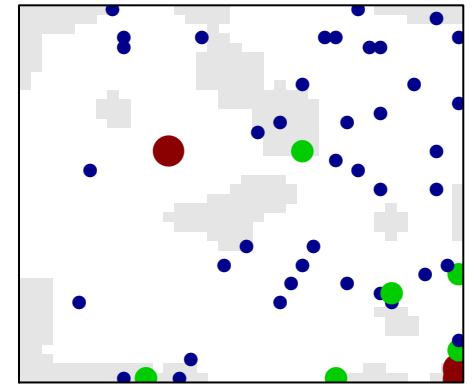


Gastric acid secretion

all genes

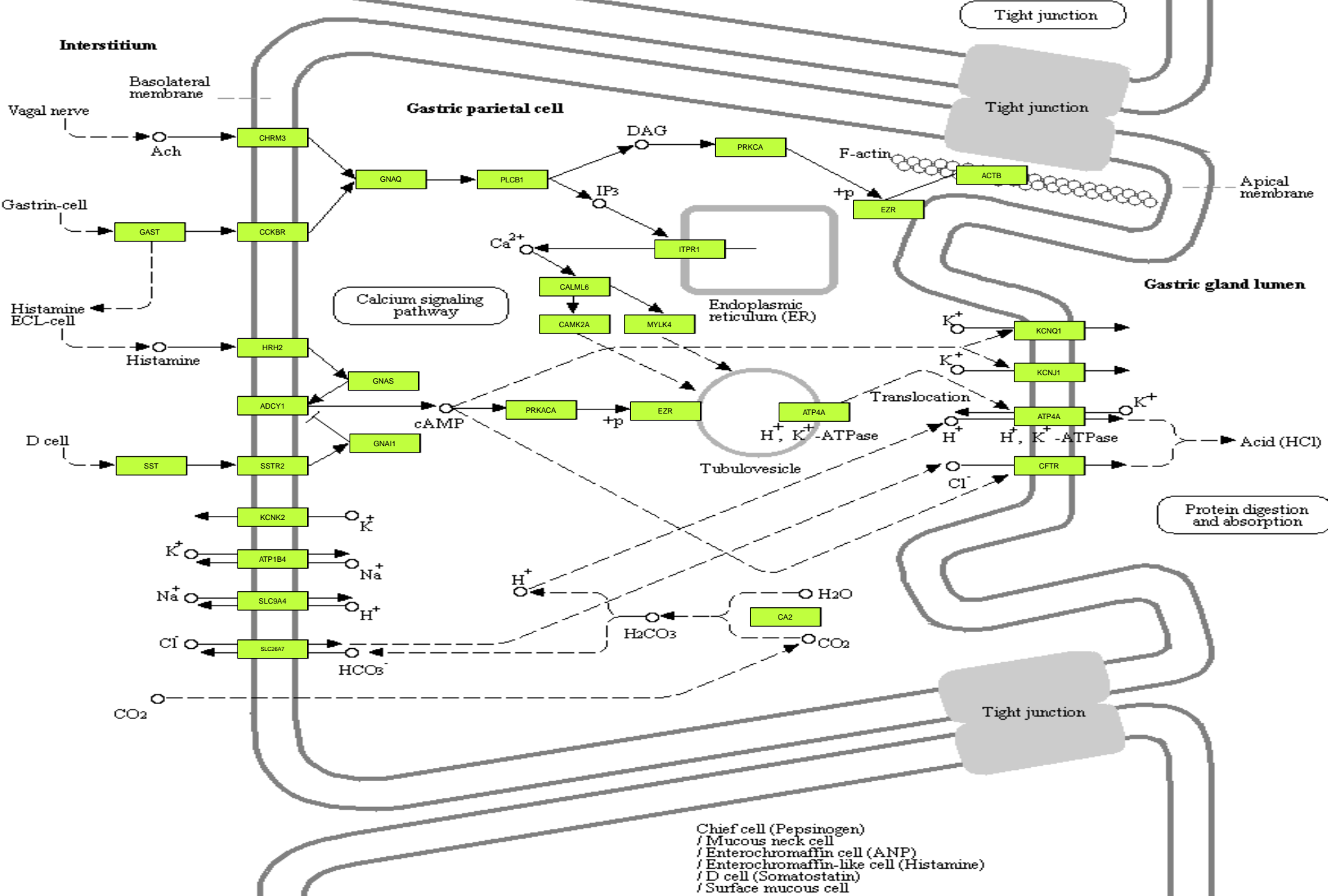


sink node genes



Gastric_acid_secretion genes with data

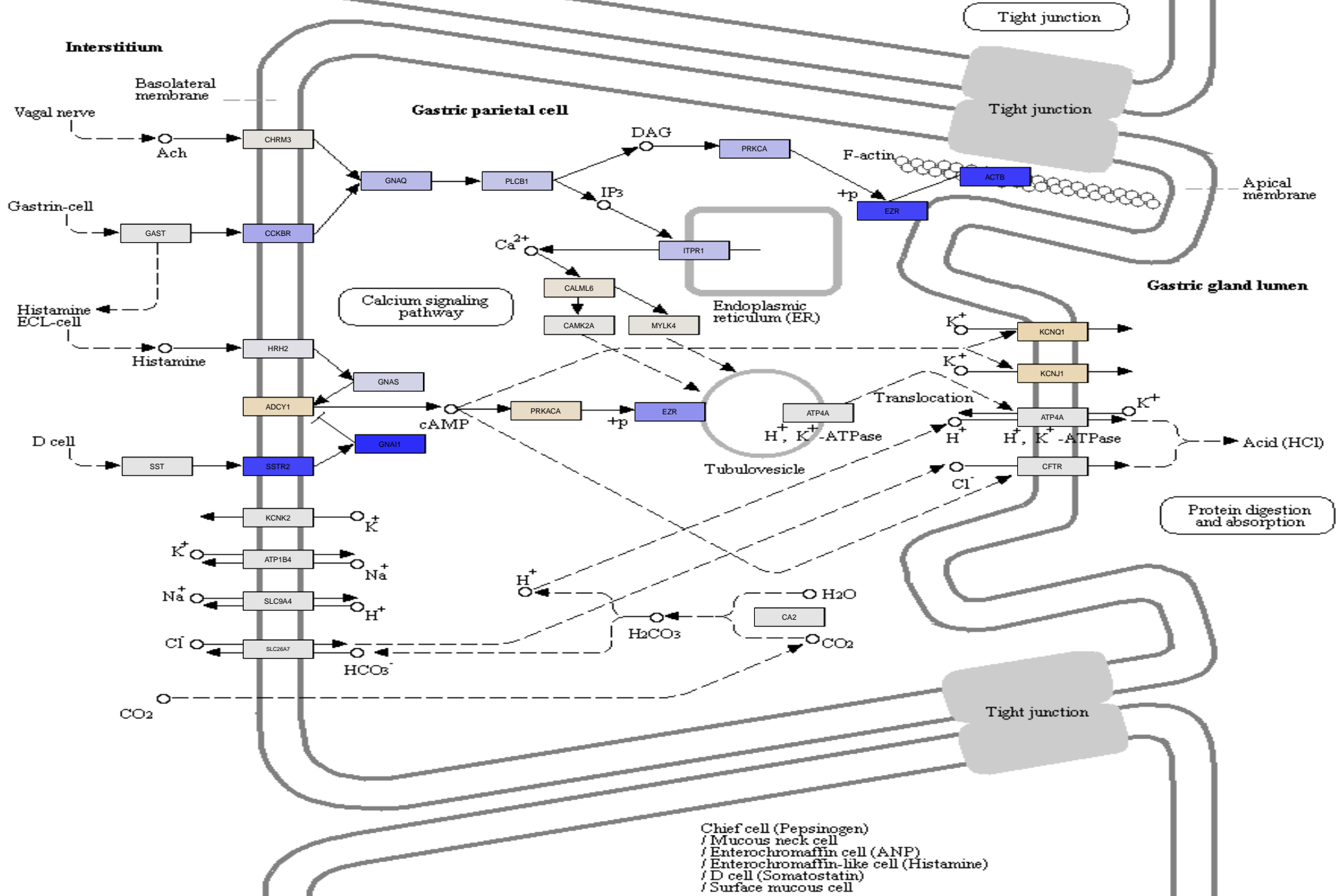
Chief cell (Pepsinogen)
 / Mucous neck cell
 / Enterochromaffin cell (ANP)
 / Enterochromaffin-like cell (Histamine)
 / D cell (Somatostatin)
 / Surface mucous cell



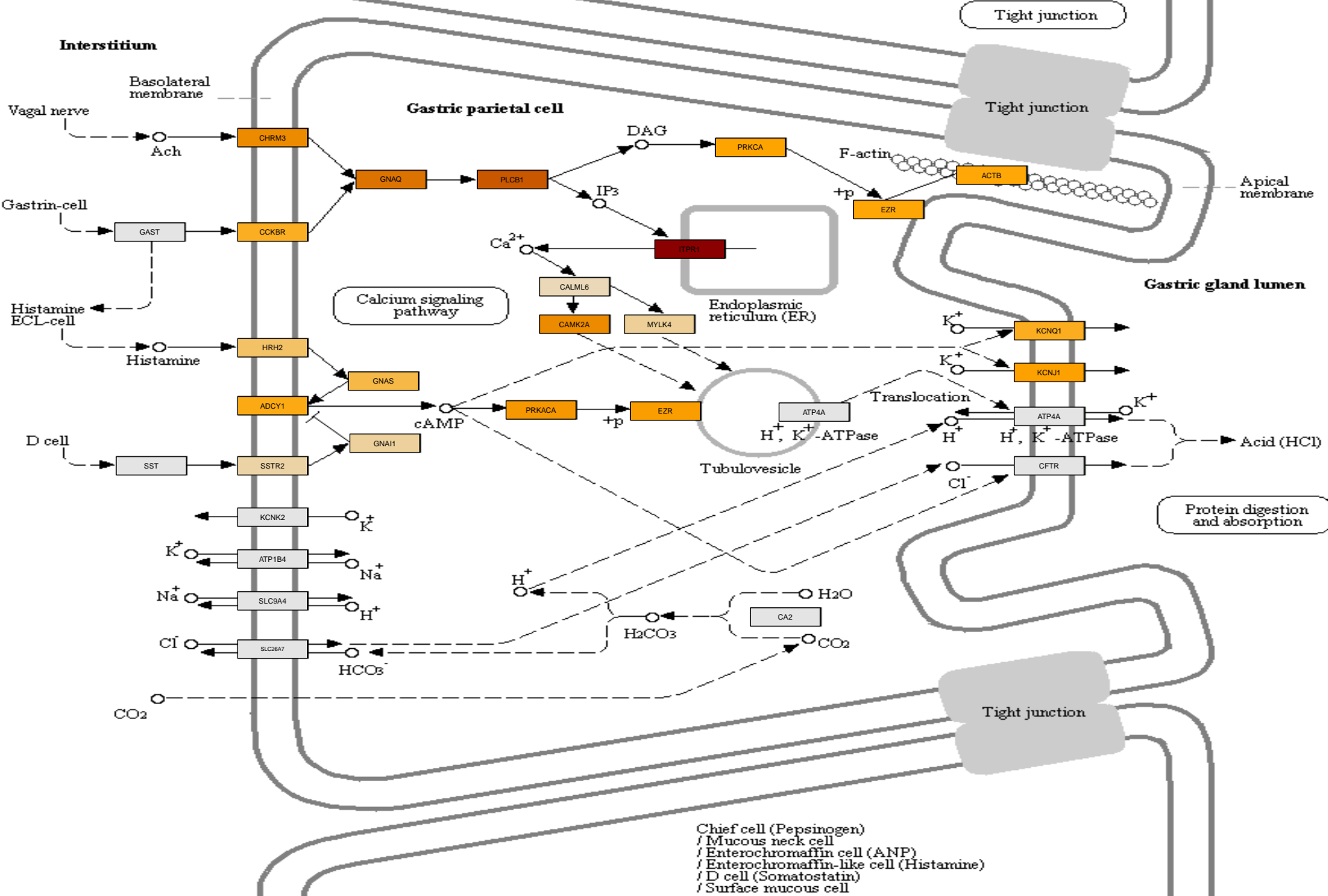
Chief cell (Pepsinogen)
 / Mucous neck cell
 / Enterochromaffin cell (ANP)
 / Enterochromaffin-like cell (Histamine)
 / D cell (Somatostatin)
 / Surface mucous cell

Gastric_acid_secretion
group 2

Chief cell (Pepsinogen)
/ Mucous neck cell
/ Enterochromaffin cell (ANP)
/ Enterochromaffin-like cell (Histamine)
/ D cell (Somatostatin)
/ Surface mucous cell

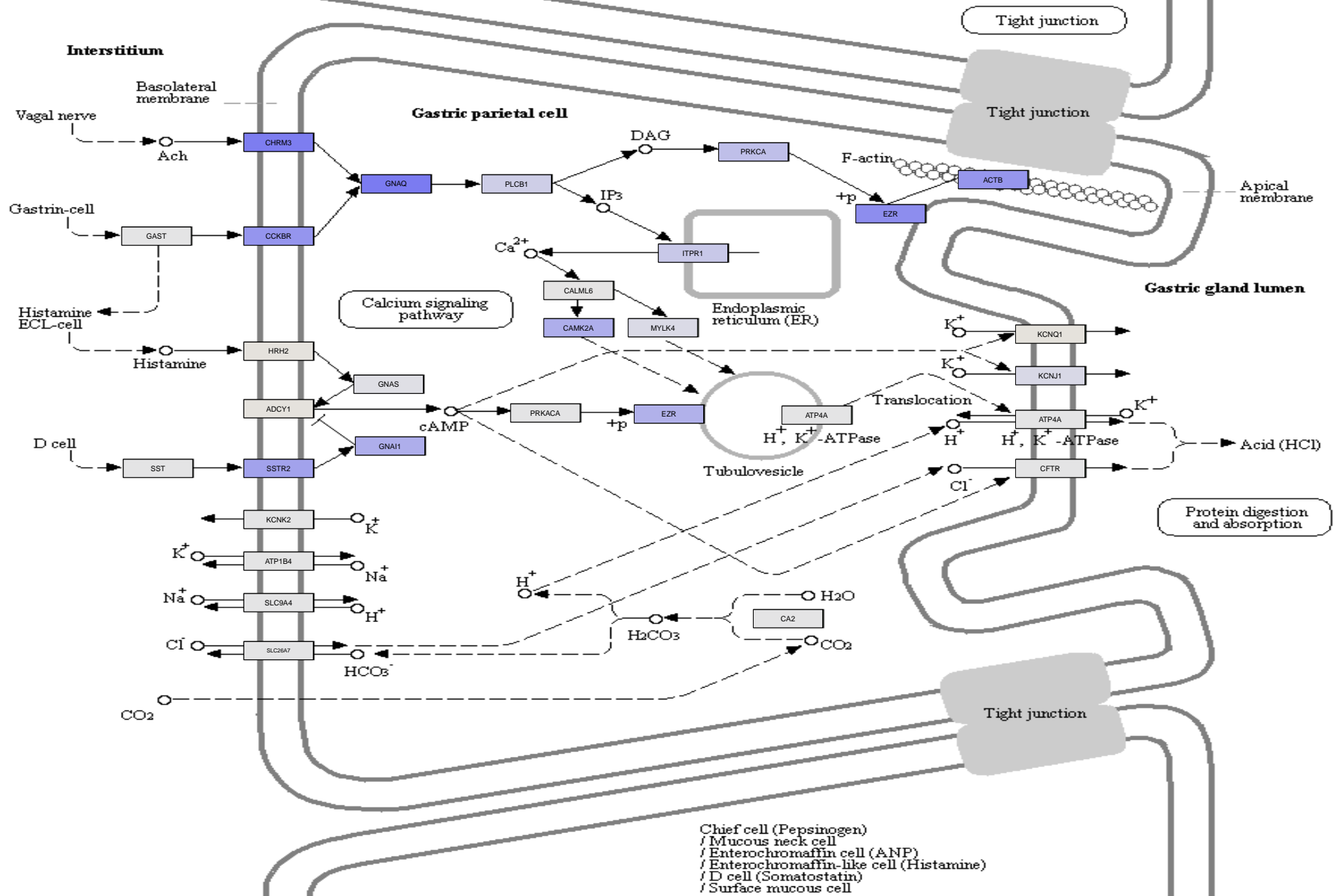


Chief cell (Pepsinogen)
 / Mucous neck cell
 / Enterochromaffin cell (ANP)
 / Enterochromaffin-like cell (Histamine)
 / D cell (Somatostatin)
 / Surface mucous cell



Chief cell (Pepsinogen)
 / Mucous neck cell
 / Enterochromaffin cell (ANP)
 / Enterochromaffin-like cell (Histamine)
 / D cell (Somatostatin)
 / Surface mucous cell

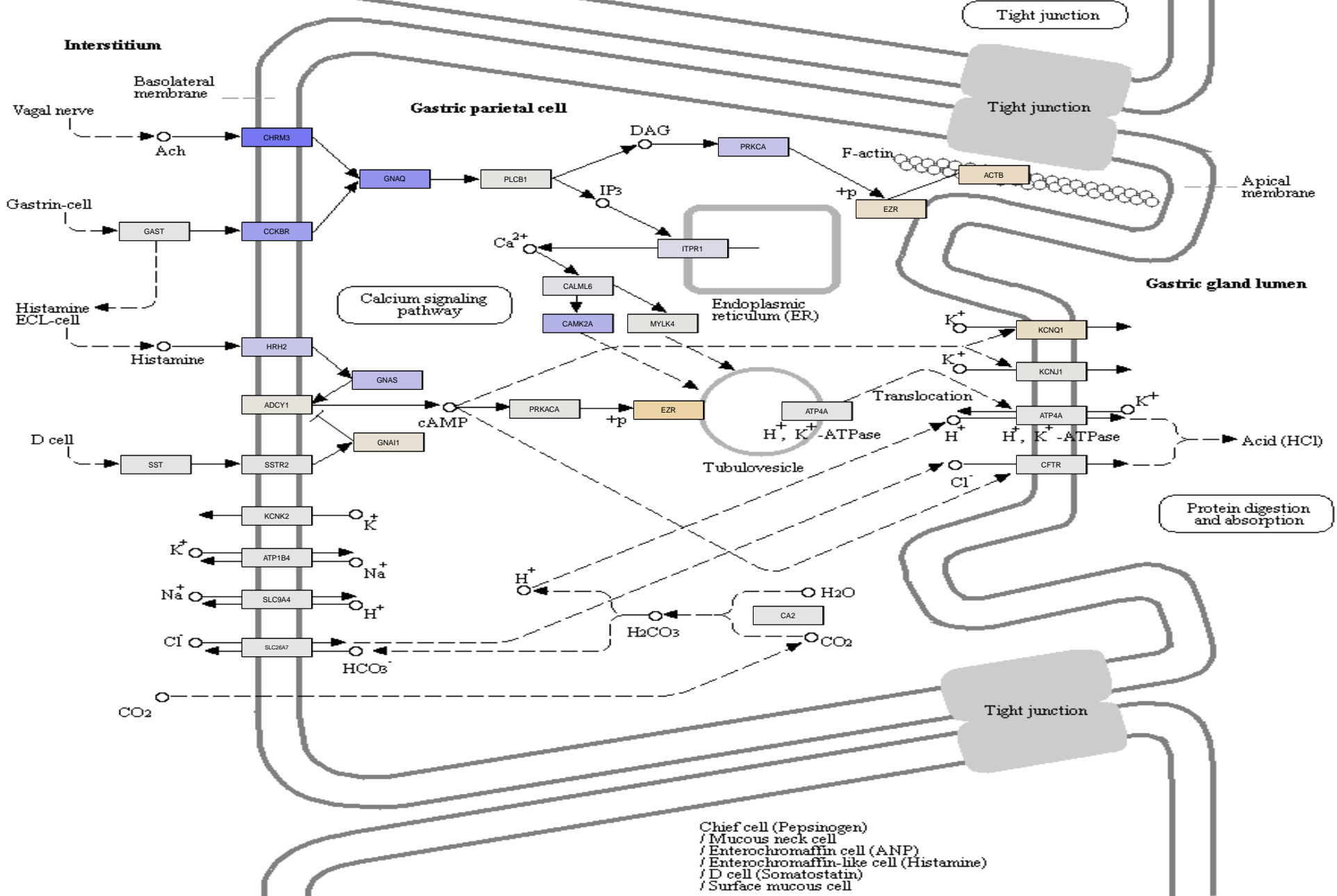
Chief cell (Pepsinogen)
 / Mucous neck cell
 / Enterochromaffin cell (ANP)
 / Enterochromaffin-like cell (Histamine)
 / D cell (Somatostatin)
 / Surface mucous cell



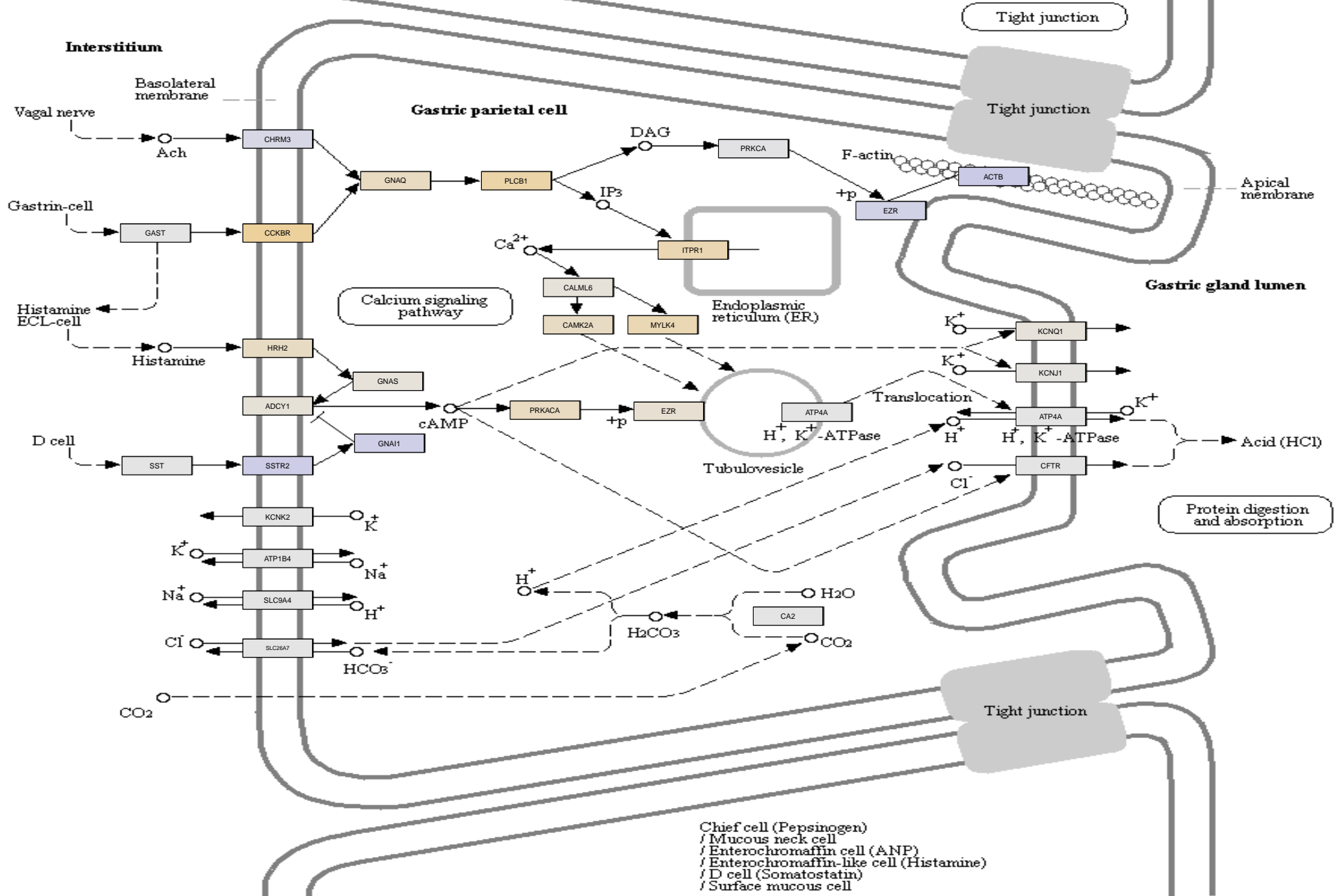
Chief cell (Pepsinogen)
 / Mucous neck cell
 / Enterochromaffin cell (ANP)
 / Enterochromaffin-like cell (Histamine)
 / D cell (Somatostatin)
 / Surface mucous cell

Gastric_acid_secretion group 5

Chief cell (Pepsinogen)
 / Mucous neck cell
 / Enterochromaffin cell (ANP)
 / Enterochromaffin-like cell (Histamine)
 / D cell (Somatostatin)
 / Surface mucous cell



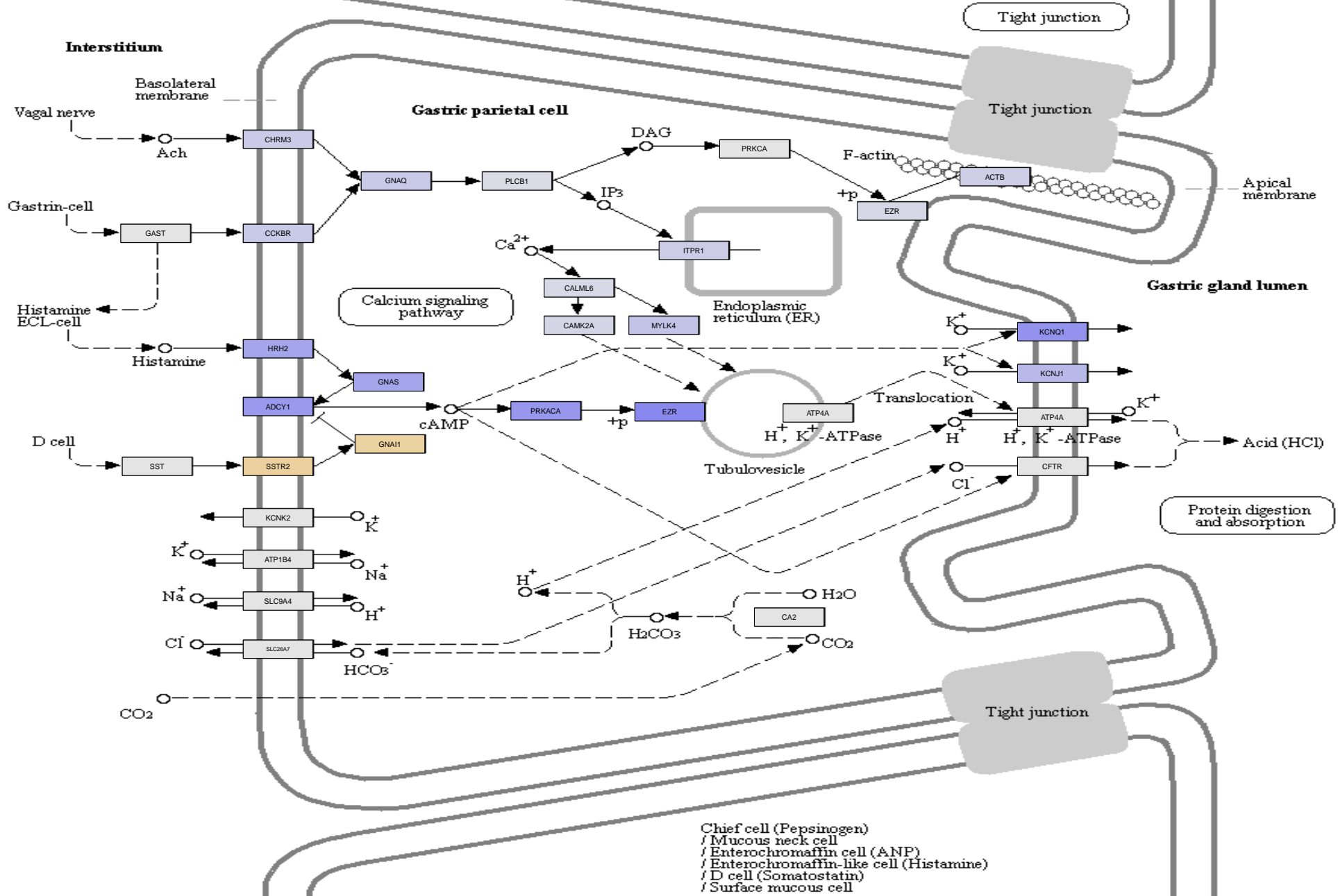
Chief cell (Pepsinogen)
 / Mucous neck cell
 / Enterochromaffin cell (ANP)
 / Enterochromaffin-like cell (Histamine)
 / D cell (Somatostatin)
 / Surface mucous cell



Chief cell (Pepsinogen)
 / Mucous neck cell
 / Enterochromaffin cell (ANP)
 / Enterochromaffin-like cell (Histamine)
 / D cell (Somatostatin)
 / Surface mucous cell

Gastric_acid_secretion group 7

Chief cell (Pepsinogen)
 / Mucous neck cell
 / Enterochromaffin cell (ANP)
 / Enterochromaffin-like cell (Histamine)
 / D cell (Somatostatin)
 / Surface mucous cell



Chief cell (Pepsinogen)
 / Mucous neck cell
 / Enterochromaffin cell (ANP)
 / Enterochromaffin-like cell (Histamine)
 / D cell (Somatostatin)
 / Surface mucous cell

Chief cell (Pepsinogen)
 / Mucous neck cell
 / Enterochromaffin cell (ANP)
 / Enterochromaffin-like cell (Histamine)
 / D cell (Somatostatin)
 / Surface mucous cell

